

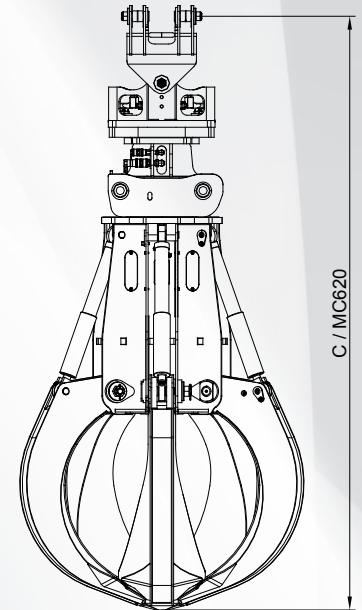
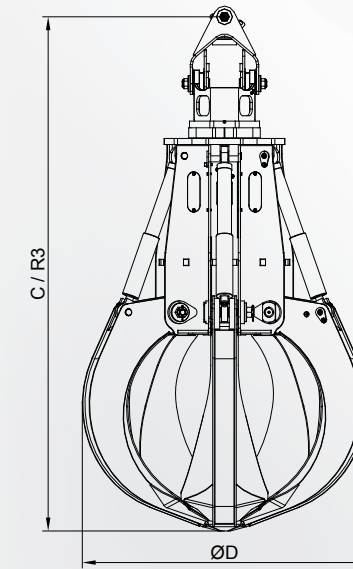
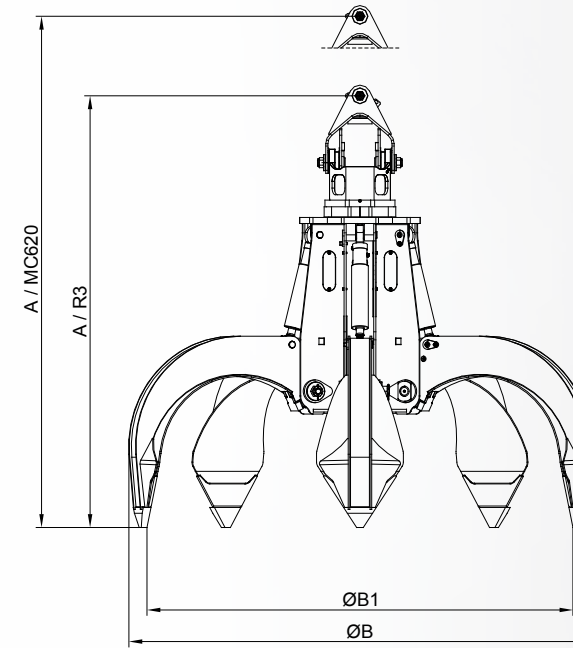
ORANGE PEEL GRABS

MANTSINEN Orange Peel Grabs TECHNICAL SPECIFICATIONS



WITH FIXED ROTATOR

WITH QUICK COUPLER



Model	Capacity m ³	A / R3 [mm]	A / MC620 [mm]	ØB [mm]	ØB1 [mm]	C / R3 [mm]	C / MC620 [mm]	ØD [mm]	Weight R3* [kg]	Weight MC620** [kg]	SWL [kg]
HG 08-5	0,8	2 790	3 350	2 640	2 440	3 160	3 710	1 680	2 600	2 350	10 000
HG 11-5	1,1	2 830	3 420	2 860	2 640	3 270	3 840	1 890	2 700	2 450	10 000
HG 15-5	1,5	2 900	3 470	3 160	2 940	3 440	3 990	2 030	2 750	2 600	10 000
HG 20-5	2,0	3 230	3 820	3 580	3 370	3 840	4 430	2 180	3 440	3 050	10 000
HG 25-5	2,5	3 240	3 830	3 670	3 400	3 860	4 450	2 360	3 480	3 230	10 000
HG 30-5	3,0	3 270	3 860	3 810	3 540	3 940	4 530	2 490	3 580	3 330	10 000
HG 40-5	4,0	3 360	3 950	4 120	3 870	4 130	4 720	2 600	3 750	3 500	10 000
HG 50-5	5,0	3 420	4 010	4 390	4 120	4 270	4 850	2 860	4 000	3 750	10 000

Heavy-duty
grabs for hard
work with tough
machines.

ORANGE PEEL GRABS

Mantsinen orange peel grabs are designed for hard work with big heavy machines.

Our unique grab frame design, made of steel plates running from the top all the way to the pivot points of the tines, makes the grab extremely resistant to the repetitive shocks of scrap handling.

Mantsinen orange peel grabs are available with 4 - 6 tines and with either closed, semi-open or open tine form.

Mantsinen range includes orange peel grabs from 0,8 m³ to 5,0 m³. All orange peel grabs are available with both Mantsinen quick coupling systems or fixed rotators.

* The weight with fixed rotator, but excluding link

** The weight with adapter, but excluding quick coupler and link

- Also available with R4 fixed rotator and MC720 quick coupler system
- All specifications are for grabs with semi-open tines

Specifications subject to change without prior notice.

The photographs and/or drawings in this brochure are for illustrative purposes only. Refer to the Operator's Manual for instructions on the proper use of this equipment.

